

1 2 3 4 5 6 7 8

A

A

B

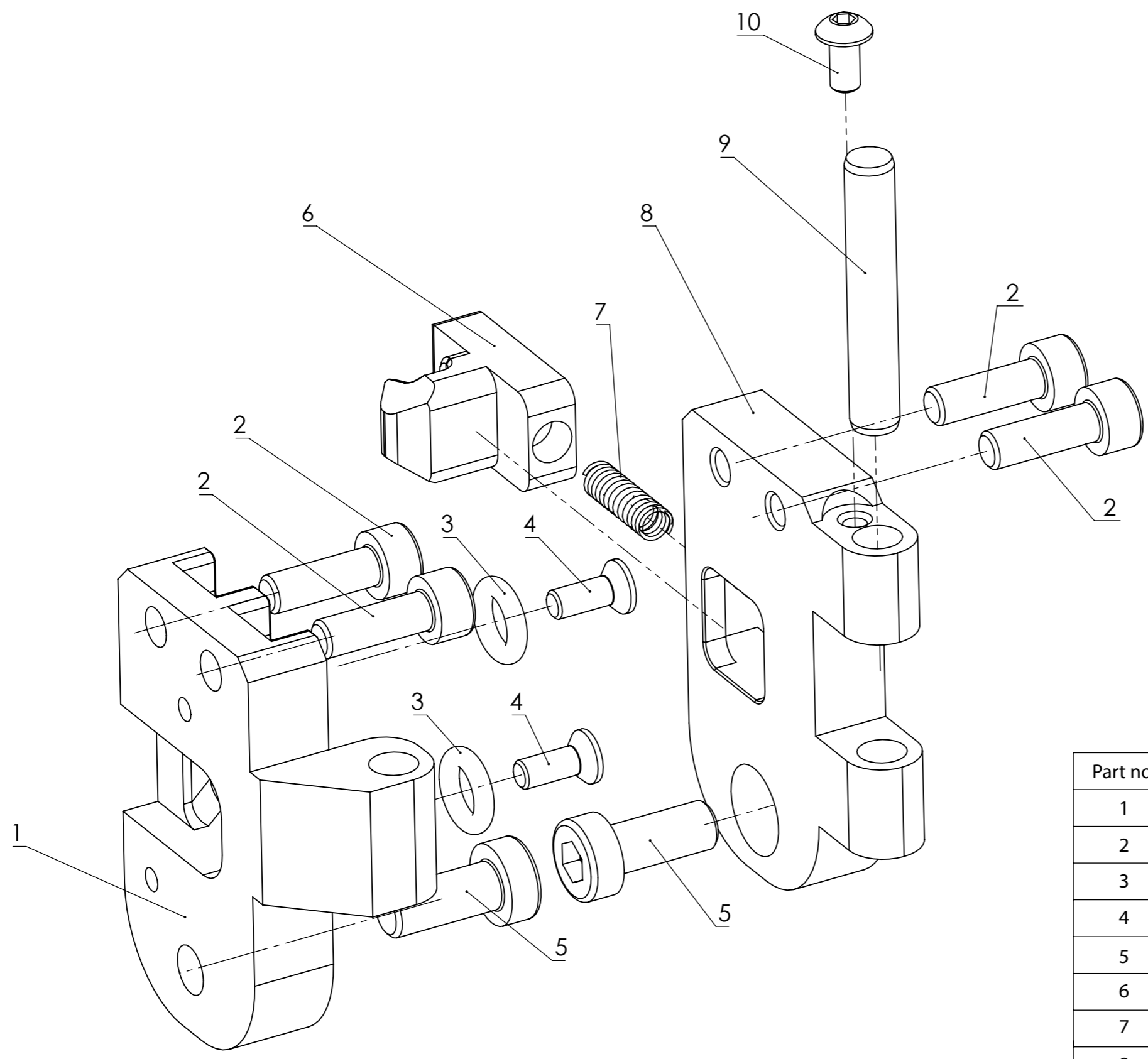
B

C

C

D

D



Folding adapter schematic diagram

Part no.	Item no.	Description	Quantity
1	09S_01D	Foldable adapter part 1	1
2	822060	Cylindrical head crew M4x12	4
3	276406	O-ring 5x1,75 NBR 90	2
4	829502	Countersunk head screw m3x6	2
5	824024	Cylindrical head crew M5x12	2
6	09S_03D	Locking knob	1
7	PRUTLACNA06	Spring 0,7x4x12x10	1
8	09S_02D	Foldable adapter part 2	1
9	829502	PIN 5x30 h6	1
10	826402	Half round head screw m3x6	1

1 2 3 4 5 6 7 8