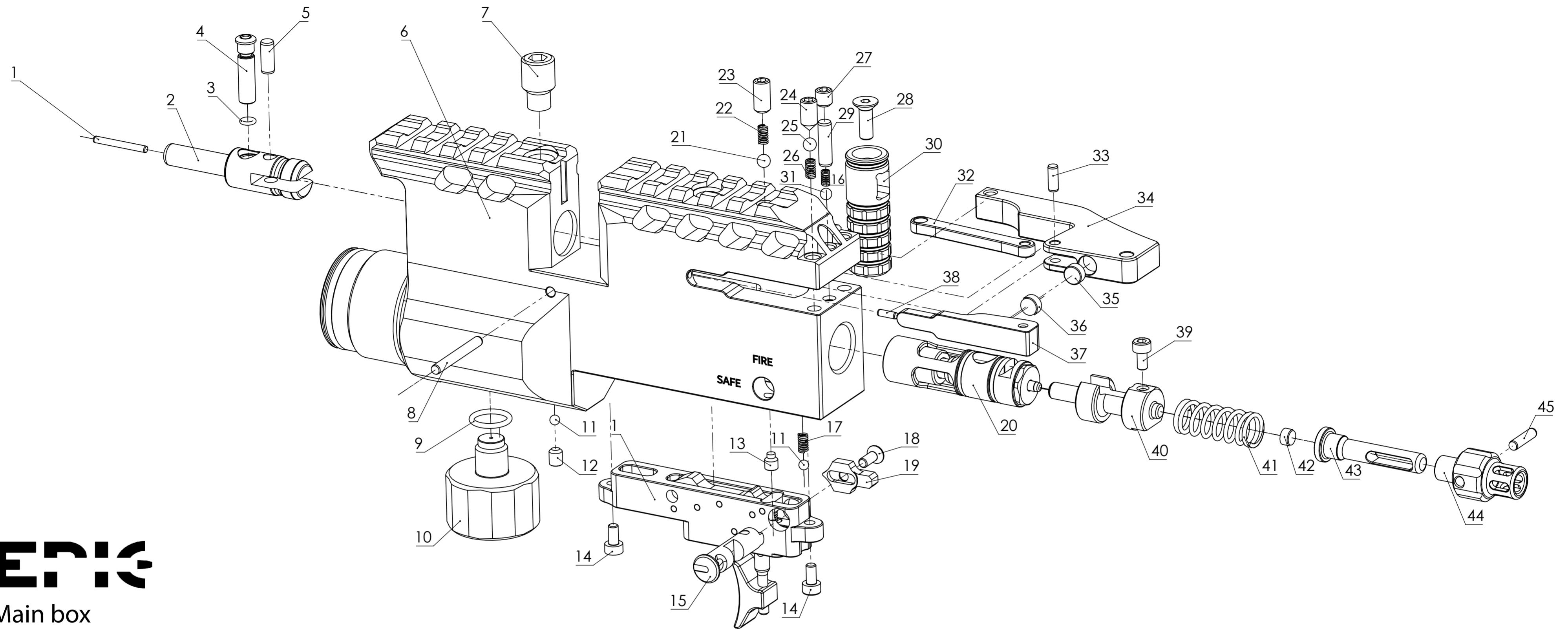




Main box



Part no.	Item no.	Description	Quantity
1	858627	Cylindrical pin 2x18 m6	1
2	01S_03D	Pellet probe .177	1
2	01S_04D	Pellet probe .22	1
2	01S_05D	Pellet probe .25	1
3	245607	O-ring 3x1 NBR 70	1
4	01S_08D	Locking pin 5x19,7	1
5	01S_08D	Cylindrical pin int. thread M4x10	1
6	01S_01D	Main block	1
7	833074	Set screw with pin M10x16	1
8	858665	Cylindrical PIN 3x26 m6	1
9	245900	O-ring 10x1,5 NBR 70	1
10	EPICMAN	Pressure gauge	1
11	38554.01	Steel ball 3mm DIN 5401	1
12	832027	Flat set screw M4x5	1
13	833018	Set screw with pin M4x5	1
14	821401	Screw cylindrical head M3x6	2

Part no.	Item no.	Description	Quantity
15	03S_08D	Safety rod	1
16	PRUTLACNA013	Spring 0,5x3,4x4,5x5	1
17	PRUTLACNA012	Spring 0,35x3x9x9	1
18	829502	Countersunk Allen screw M3x6	1
19	03S_09D	AR-15 safety lever	1
20	EPT12-005	Balanced valve	1
21	38558.01	Steel ball 4mm DIN 5401	1
22	PRUTLACNA09	Spring 0,5x3,4x3,5x9	1
23	832040	Flat set screw M5x4	1
24	832633	Set screw M5x10 with Allen point	1
25	38558.01	Steel ball 4mm DIN 5401	1
26	PRUTLACNA09	Spring 0,5x3,4x3,5x9	1
27	832040	Flat set screw M5x4	1
28	829521	Countersunk Allen screw M4x20	1
29	858953	Cylindrical PIN 4x14 m6	1
30	01S_39D	Side lever handle	1

Part no.	Item no.	Description	Quantity
31	38556.01	Steel ball 3.5mm DIN 5401	1
32	01S_06D	Side lever linkage	1
33	858656	Cylindrical PIN 3x8 m6	1
34	01S_07D	Side lever	1
35	V6-3-N38	Neodymium magnet 6x3 - N38	1
36	V6-3-N38	Neodymium magnet 6x3 - N38	1
37	01S_14D	Cover plate of cocking lever	1
38	858621	Cylindrical PIN 2x6 m6	1
39	01S_55D	Special screw M3x6 for hammer	1
40	01S_02D	Hammer	1
41	PRUTLACNA01	Hammer spring	1
42	V5-3-N38	Neodymium magnet 5x3 - N38	1
43	01S_40D	Spring guide	1
44	01S_10D	Hammer spring adjuster	1
45	858658	Cylindrical PIN 3x12 m6	1